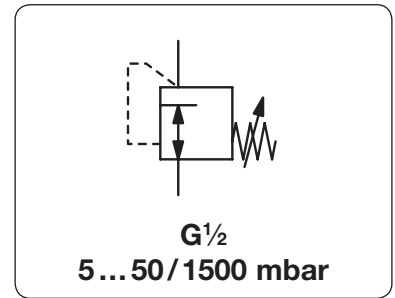


Precision Low Pressure Regulator for Pure Gases

RR

Description	Precision regulator in mbar range without auxiliary power. Accurate and reliable regulation with large diaphragm for high sensitivity compressed air or non-corrosive gases up to 5.0 purity (99.999% vol.)	
Media	compressed air or non-corrosive gases up to 5.0 purity (99.999% vol.)	
Supply pressure	max. 20 bar	
Air consumption	without constant bleed	
Adjustment	by handwheel with locknut	
Relieving function	non-relieving	
Gauge port	G $\frac{1}{2}$ on the bottom side of the body, screw plug supplied	
Mounting position	any	
Temperature range	-20 °C to 70 °C / -4 °F to 158 °F, for CO $_2$ up to 40 °C / 104 °F	
Material	Body:	grey-coated brass
	Diaphragm:	EPDM with PTFE coating
	O-rings:	NBR/Buna-N
	Inner valve:	brass



Dimensions			Flow rate		Connection thread	Pressure range	Order number
A	B	C	m 3 /h*1	l/min*1	G	mbar/bar	

Low pressure regulator				supply max. 20 bar	RR		
				non-relieving, without constant bleed			
164	156	41	5	75	G $\frac{1}{2}$	5... 50 mbar	RR-04A
			12	200		10... 100 mbar	RR-04B
			30	500		50... 500 mbar	RR-04C
			45	750		0.1... 1 bar	RR-04D
			51	850		0.2... 1.5 bar	RR-04E



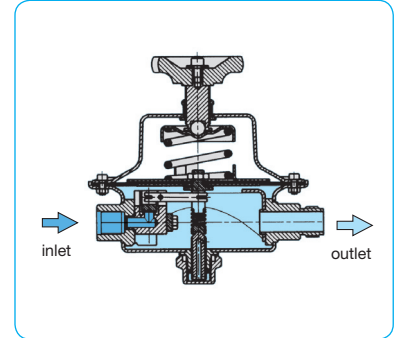
RR-04D

Special options, add the appropriate letter

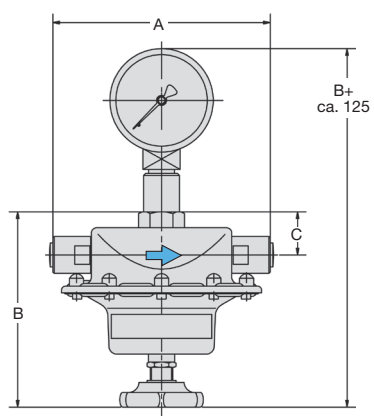
free of grease and oil	suitable for oxygen and flammable gases	RR-... L
pressure gauge	Ø 100 mm, 0... bar, handwheel at the bottom	RR-... G

Accessories, enclosed

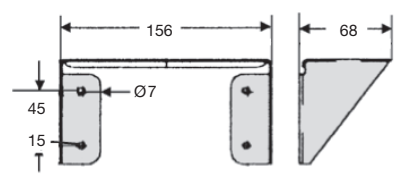
mounting bracket	made of steel	SA-RR04
-------------------------	---------------	---------



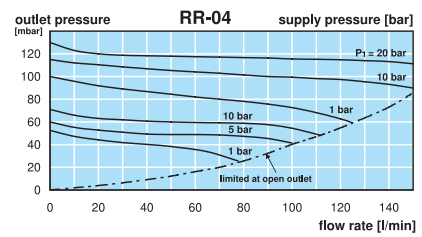
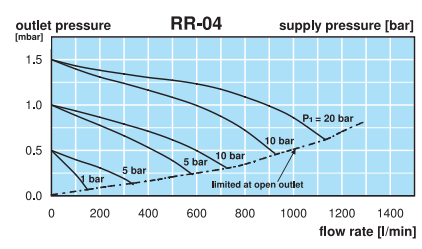
cross section



RR-04 with gauge



SA-RR04



*1 at 6 bar supply pressure and open outlet